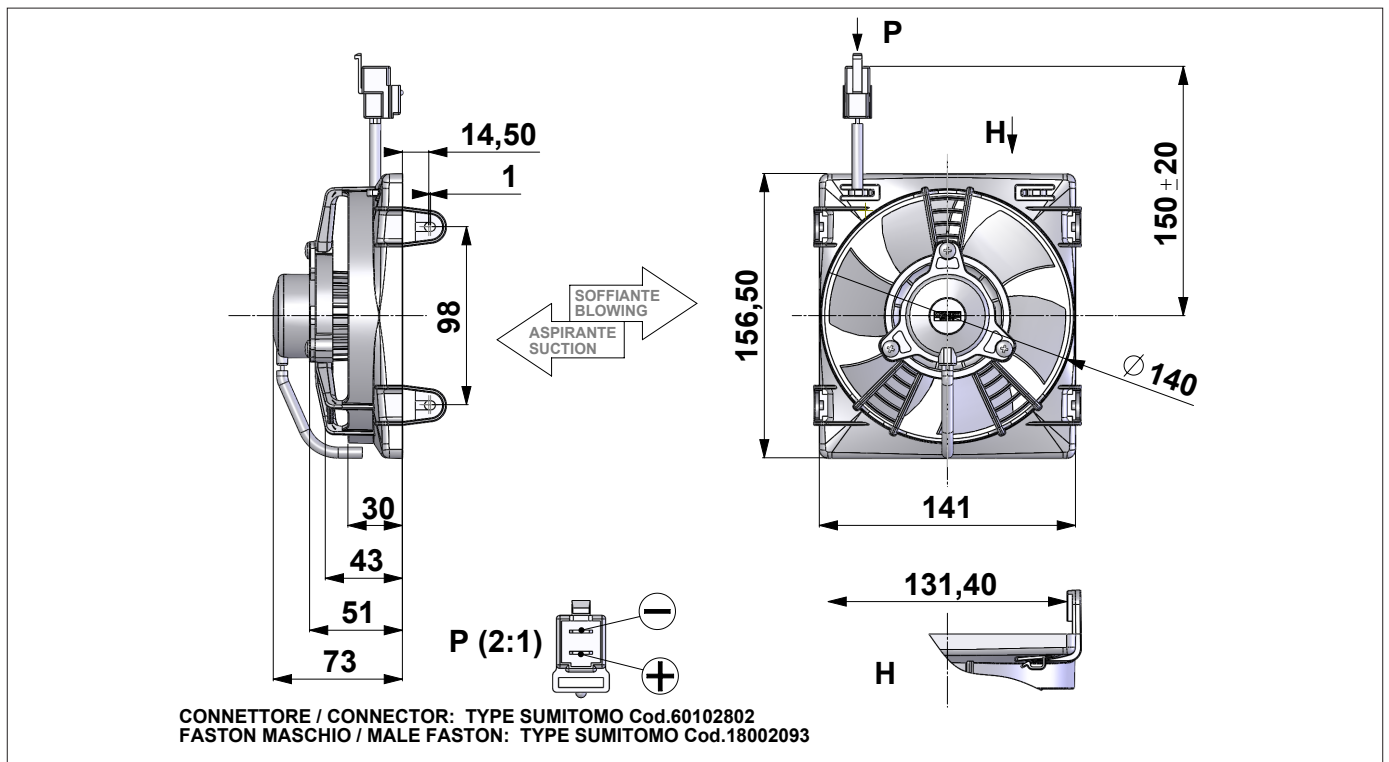
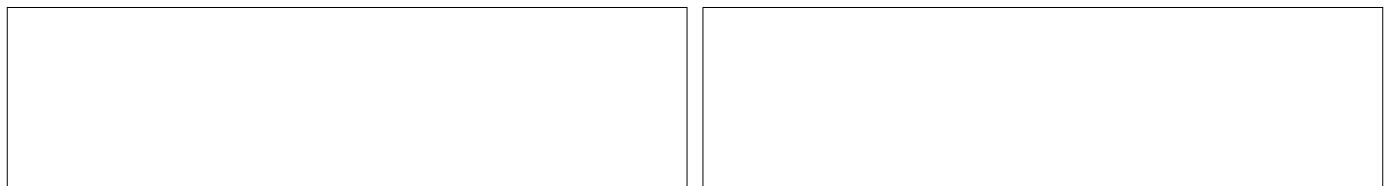


12V DC		F17-12C003-01S				Suction-Aspirante				24V DC										
		F17-12C003-01B				Blowing-Soffiante														
Test Voltage: 13,0 VOLT DC										Test Voltage: 26,0 VOLT DC										
Static Pressure		SUCTION Aspirante				BLOWING Soffiante				Static Pressure		SUCTION Aspirante				BLOWING Soffiante				
Pa	IN H2O	Airflow m ³ /h	Airflow cfm	Current A	Eff. %	Airflow m ³ /h	Airflow cfm	Current A	Eff. %	Pa	IN H2O	Airflow m ³ /h	Airflow cfm	Current A	Eff. %	Airflow m ³ /h	Airflow cfm	Current A	Eff. %	
0	0	340	200	1,10						0	0									
25	0,1	300	170	1,15						25	0,1									
50	0,2	220	130	1,15						50	0,2									
75	0,3	120	70	1,25						75	0,3									
100	0,4	80	40	1,35						100	0,4									
125	0,5	0	0	1,45						125	0,5									



Weight: 0,4 Kg	Noise: LOW NOISE
Pressure rate: 1Pa = 0,004 inch H2O	Static Pressure: pascal (Pa)
Dimensions rate: 25,4 mm = 1 inch	Airflow rate: 1 m ³ /h = 0,59 cfm