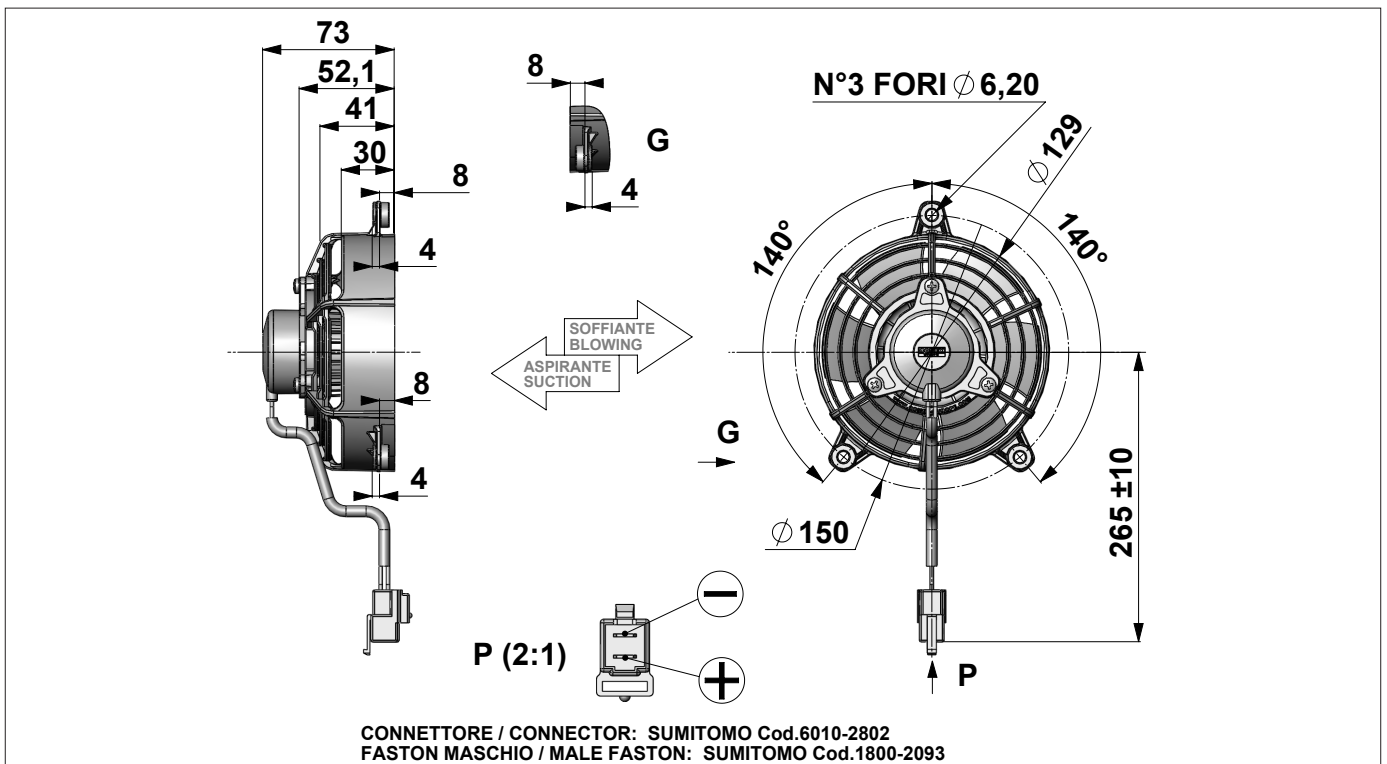
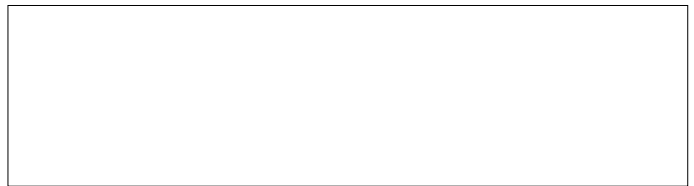
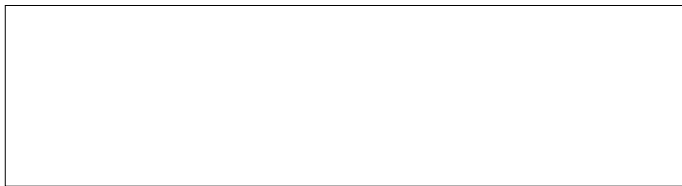


12V DC	F33-12C003-07S F33-12C003-07B	Suction-Aspirante Blowing-Soffiante							
Test Voltage: 13,0 VOLT DC									
Static Pressure	SUCTION Aspirante				BLOWING Soffiante				
Pa	IN H2O	Airflow m ³ /h	Airflow cfm	Current A	Eff. %	Airflow m ³ /h	Airflow cfm	Current A	Eff. %
0	0	250	150	1,00		240	140	0,90	
25	0,1	210	120	1,00		180	110	0,90	
50	0,2	150	90	1,00		110	60	0,90	
75	0,3	80	50	1,10		60	40	1,00	
100	0,4	40	20	1,10		0	0	1,10	
125	0,5	0	0	1,20					

24V DC									
Test Voltage: 26,0 VOLT DC									
Static Pressure	SUCTION Aspirante				BLOWING Soffiante				
Pa	IN H2O	Airflow m ³ /h	Airflow cfm	Current A	Eff. %	Airflow m ³ /h	Airflow cfm	Current A	Eff. %
0	0								
25	0,1								
50	0,2								
75	0,3								
100	0,4								
125	0,5								



Weight: 0,4 Kg
Pressure rate: 1Pa = 0,004 inch H2O
Dimensions rate: 25,4 mm = 1 inch

Noise: LOW NOISE
Static Pressure: pascal (Pa)
Airflow rate: 1 m ³ /h = 0,59 cfm